



## Nominal data

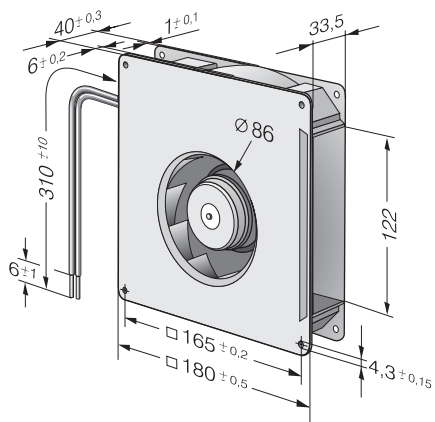
Type	RG 125-19/14 N	
Nominal voltage	VDC	24
Nominal voltage range	VDC	12 .. 28
Speed (rpm)	min <sup>-1</sup>	2550
Power consumption	W	4.9
Min. ambient temperature	°C	-30
Max. ambient temperature	°C	75
Air flow	m <sup>3</sup> /h	87.5
Sound power level	B	5.8

ml = Max. load · me = Max. efficiency · fa = Free air · cs = Customer specification · ce = Customer equipment  
Subject to change

## Technical description

<b>General description</b>	Backward-curved impeller
<b>Weight</b>	0.730 kg
<b>Dimensions</b>	180 x 180 x 40 mm
<b>Impeller material</b>	Glass-fiber reinforced plastic
<b>Housing material</b>	Scroll housing made of glass-fiber reinforced plastic, housing base made of sheet steel.
<b>Airflow direction</b>	Axial intake, radial discharge from outlet.
<b>Storage</b>	Ball bearing
<b>Service life L10 at 40 °C</b>	62500 h
<b>Service life L10 at maximum temperature</b>	27500 h
<b>Cable</b>	With leads AWG 22, TR 64
<b>Motor protection</b>	Protection against reverse polarity and blocked rotor.
<b>Locked-rotor protection</b>	Locked-rotor and overload protection
<b>Approval</b>	VDE, CSA, UL, CE
<b>Option</b>	Speed signal

Product drawing



## Curves: Air performance

